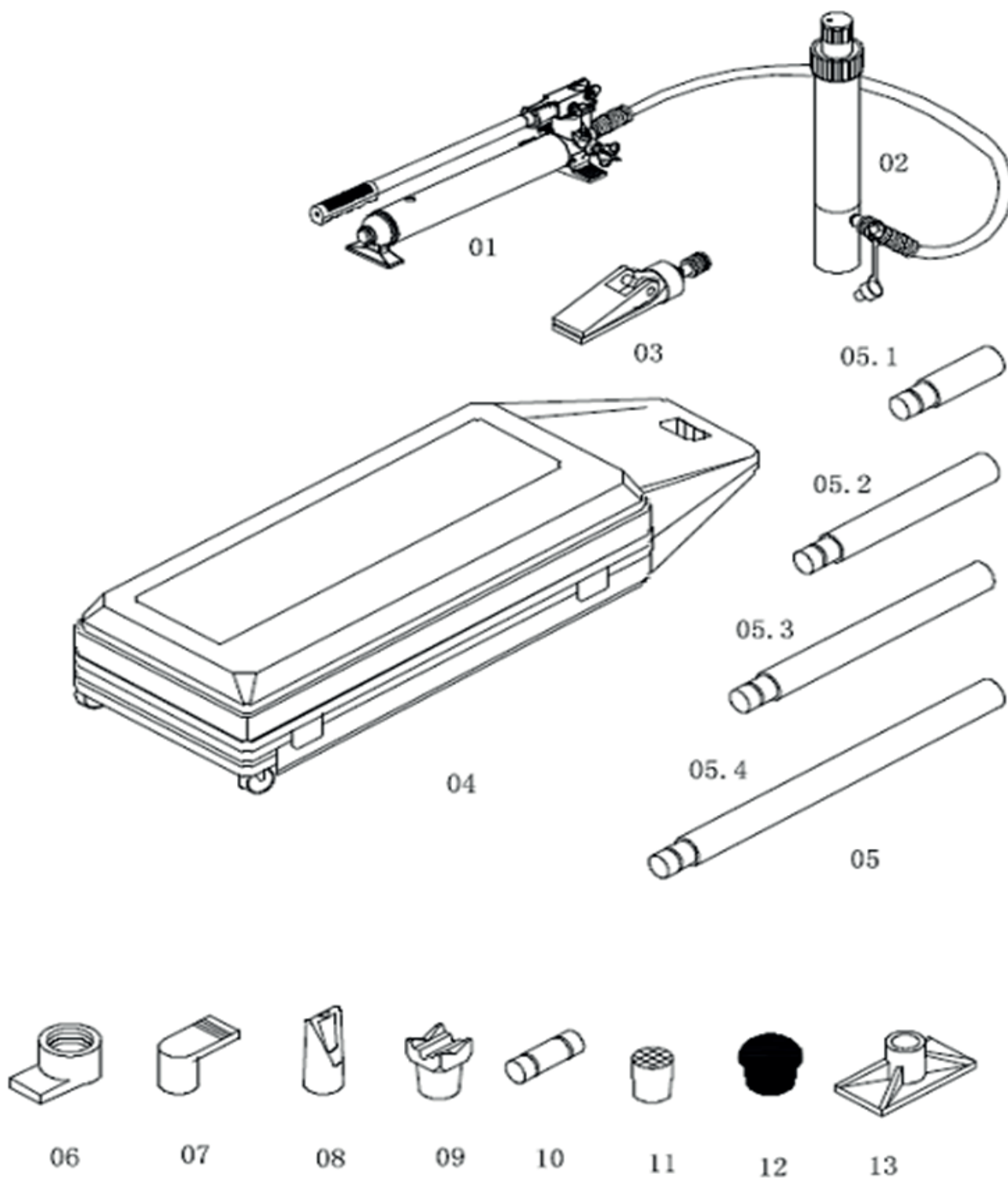
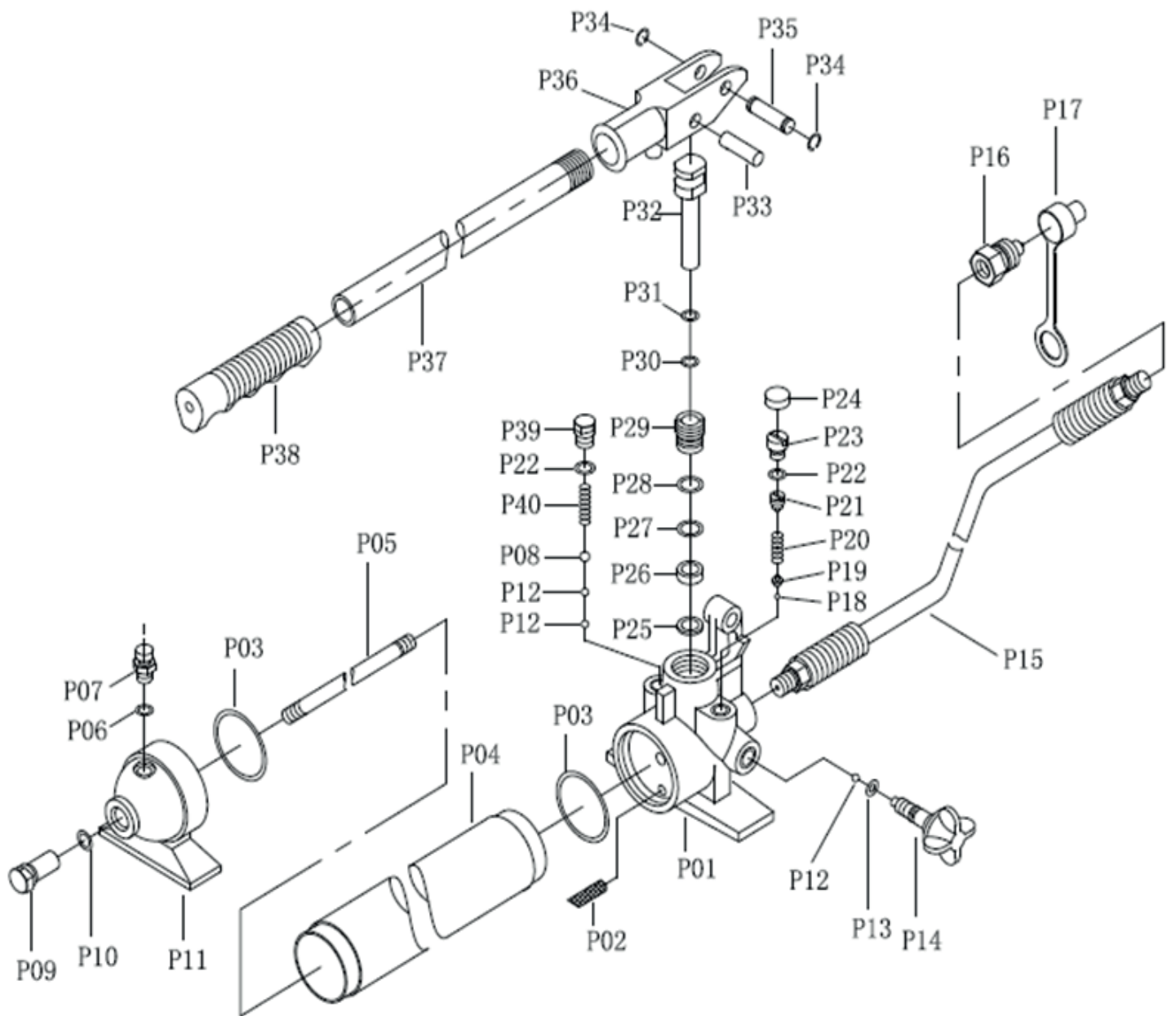


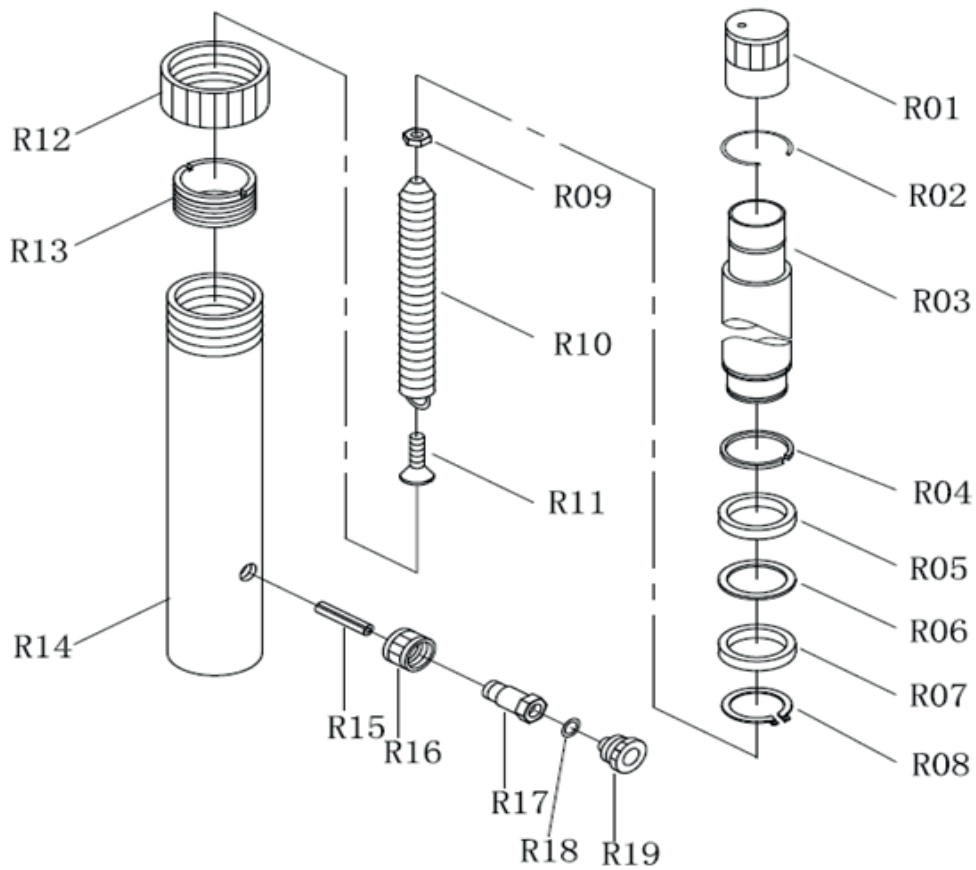
# Растяжка 10 тонн NORDBERG N3810



No.	Description	Qty
01	Pump	1
02	Ram	1
03	Spreader	1
04	Poly Case	1
05.1	Extention Tube 1	1
05.2	Extention Tube 2	1
05.3	Extention Tube 3	1
05.4	Extention Tube 4	1
06	Ram Toe	1
07	Plunger Toe	1
08	Wedge Head	1
09	V-Base	1
10	Adapters	1
11	Serrated Saddle	1
12	Rubber Head	1
13	Base	1

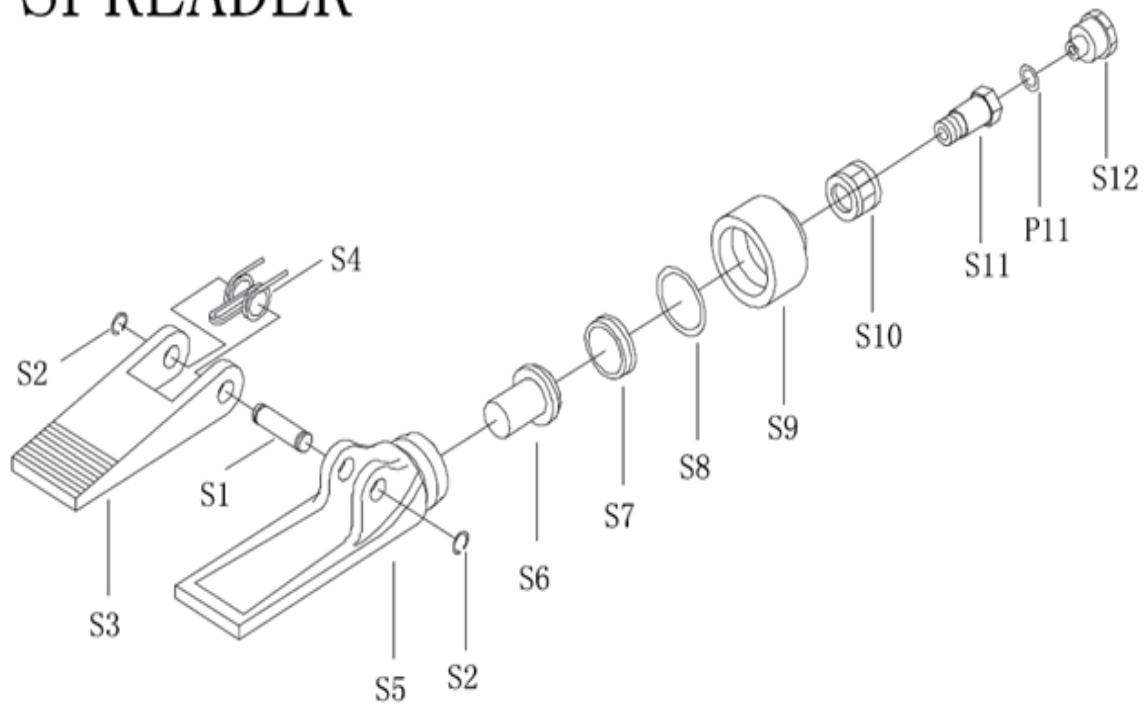


No	Description	Qty	No	Description	Qty
P1	Pump	1	P21	Screw	1
P2	Filter	1	P22	Screw	2
P3	O-ring	2	P23	O-ring	1
P4	Oil tank	1	P24	Screw	1
P5	Bar	1	P25	Nylon ring	1
P6	Nylon ring	1	P26	U-ring	1
P7	Screw	1	P27	O-ring	1
P8	Steel ball	1	P28	Nylon ring	1
P9	Screw	1	P29	Pump seat	1
P10	O-ring	1	P30	O-ring	1
P11	Cover	3	P31	Nylon ring	1
P12	Steel ball	1	P32	Pump core	1
P13	O-ring	1	P33	Pin shaft	1
P14	Release valve assy	1	P34	Retaining ring	2
P15	Oil hose	1	P35	Pin shaft	1
P16	Connector	1	P36	Handle seat	1
P17	Dusty cover	1	P37	Handle	1
P18	Steel ball	1	P38	Sleeve of handle	1
P19	Steel ball seat	1	P39	Screw	1
P20	Spring	1	P40	Spring	1



No.	Description	Qty
R01	Protect Bushing	1
R02	Clip	1
R03	Piston Rod	1
R04	Limit Circle	1
R05	Washer	1
R06	PTFE Washer	1
R07	U Ring	1
R08	Clip	1
R09	Nut	1
R10	Spring	1
R11	Screw	1
R12	Protect Bushing	1
R13	Limit Circle	1
R14	Ram	1
R15	Screw	1
R16	Nut	1
R17	Connector	1
R18	O Ring	1
R19	Dust Cap	1

# SPREADER



No.	Description	Qty.
S1	Pin	1
S2	Clip	2
S3	Spreader Mouth	1
S4	Spring	1
S5	Fixed Mouth	1
S6	Small Piston	1
S7	Piston Ring	1
S8	O Ring	1
S9	Top Cap	1
S10	Connect Nut	1
S11	Ram Connector	1
P11	O Ring	1
S12	Dust Cap	1